

SMT TR series

Surface mount tiny washable rocker switches

Distinctive features and specifications

UG1006-A



Entirely designed for surface mount

Tape and reel packaging

Reflow solderable

- High temperature plastic materials
- Tin plated ground plate
- Terminal coating : tin alloy over nickel plating
- Terminals turned to the outside, preventing the shadow effect in infrared soldering and permitting visual inspection of solder joints
- Distance between case and circuit : 0,55 mm (.021)
- End stackable with 10,16 mm (.40) pitch
- Available with positioning pins to ensure switch orientation during the reflow process and increasing switch mechanical resistance

Protected against electrostatic discharges (ESD) up to 10 KV

Washable

Construction withstands cleaning processes, including hot water under pressure

ELECTRICAL SPECIFICATIONS

- Max. current/voltage rating with resistive load : 0,4VA 20V max. AC or DC
- Minimum load : 10mA 50mV or 10 μ A 5VDC
- Initial contact resistance : 20 m Ω max
- Insulation resistance : 1.000 M Ω min. at 500VDC
- Dielectric strength : 1.000 Vrms. 50 Hz min. between terminals and frame 500 Vrms. 50 Hz min. between terminals
- Electrical life at full load :
 - 2 position switches : 60.000 cycles
 - 3 position switches : 30.000 cycles
- Static resistance : 10 KV (Schaffner equipment)

GENERAL SPECIFICATIONS

- Operating temperature : -40°C to +85°C
- Moisture resistance : 21 days per IEC 512-6 test 11c
- Vibration resistance : 10-500 Hz / 10 g per IEC 512-4 test 6d
- Shock resistance : 50 g per IEC 512-4 test 6c

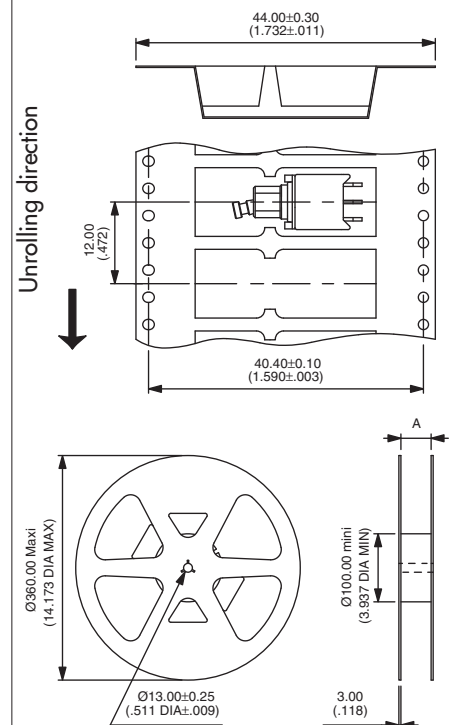
MATERIALS

- Case : high temperature plastic material UL94-V0
- Actuator : high temperature plastic rocker
- Ground plate and positioning pins : steel, tin plated
- Contacts : brass, gold plated
- Terminals : brass, with pure tin plating over nickel barrier

SOLDERING AND CLEANING

- Reflow soldering : infrared, vapor phase or infrared convection
- Washable per IEA-RS448-2 :
 - water + detergent - preferred
 - solvents
- Further information on reflow soldering : see end of catalogue.

PACKAGING



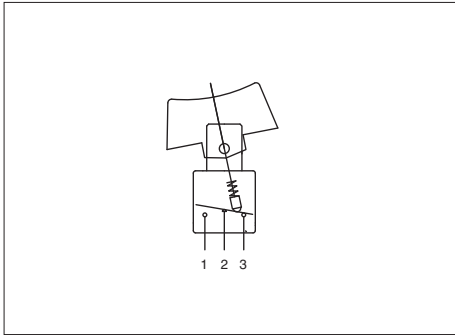
Tape width	24.00 (.944)	44.00 (1.732)
Reel (dimension A)	24.40+2.00/0.00 (.960+.078/.000)	44.40+2.00/0.00 (1.748+.078/.000)

Standard packaging unit : 700 pieces
Tape meeting international standard IEC - Publication 286-3 (EIA481A)
Start leader : 400 mm min.

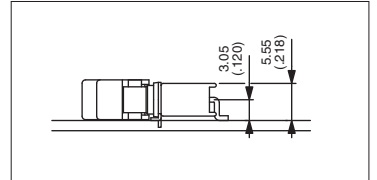
Dimensions : First dimensions are in mm while inches are shown as bracketted numbers.

SMT TR series

Surface mount tiny washable rocker switches



- With or without positioning pins
- Single pole

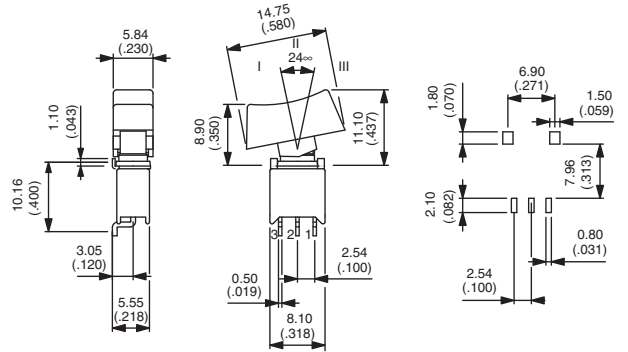


Without positioning pins



TR36WS80000
TR39WS80000
TR37WS80000
TR38WS80000
TR32WS80000

	III	II	I
TR36WS80000	ON	-	ON
TR39WS80000	ON	OFF	ON
TR37WS80000	MOM	OFF	MOM
TR38WS80000	ON	OFF	MOM
TR32WS80000	ON	-	MOM



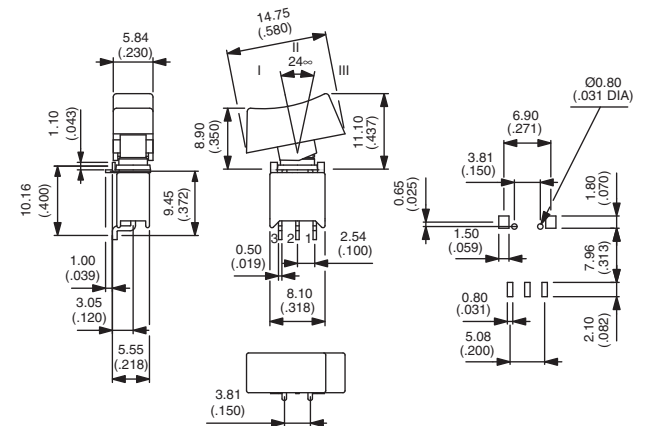
Supplied without rocker.

With positioning pins



TR36WS80065
TR39WS80065
TR37WS80065
TR38WS80065
TR32WS80065

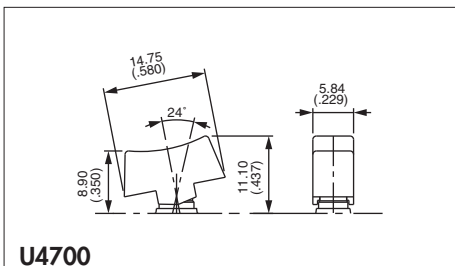
	III	II	I
TR36WS80065	ON	-	ON
TR39WS80065	ON	OFF	ON
TR37WS80065	MOM	OFF	MOM
TR38WS80065	ON	OFF	MOM
TR32WS80065	ON	-	MOM



Supplied without rocker.

ROCKERS

Order separately.



Rocker colours

Replace last "0" by number

1	blue	5	yellow
1/4	dark blue	6	red
2	black	7	ivory
3	green	7/1	white
4	grey	9	orange